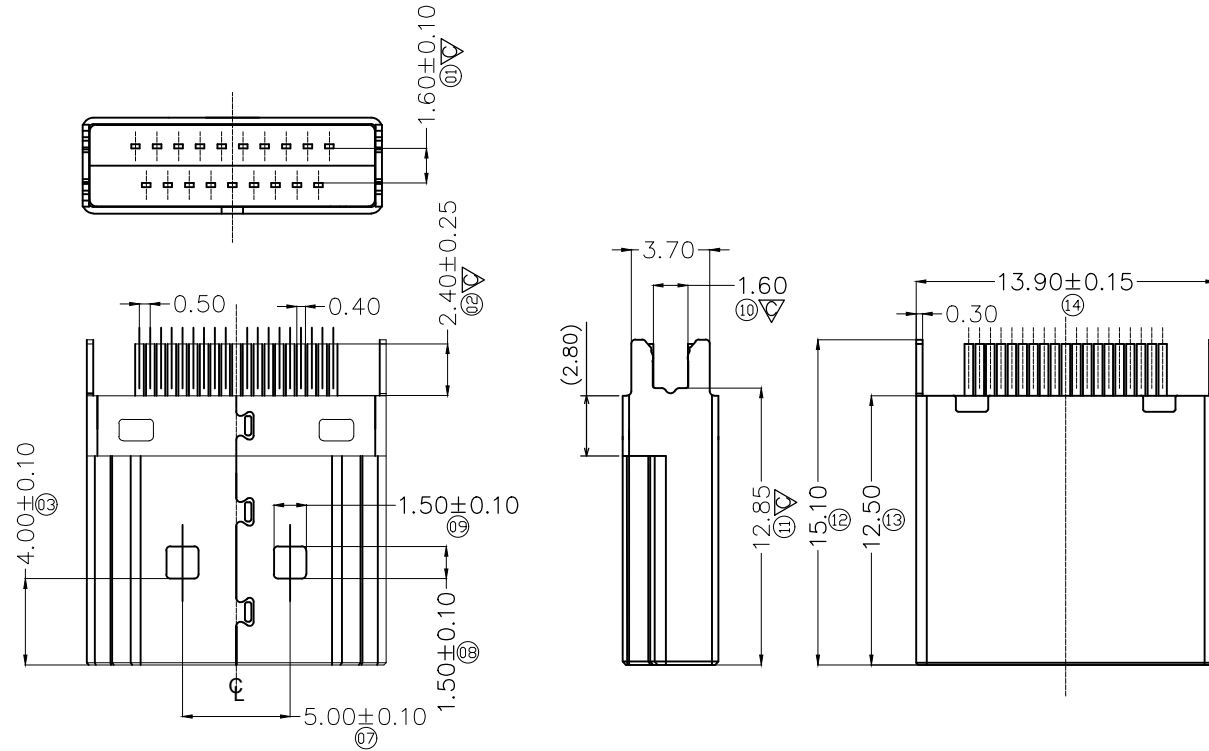
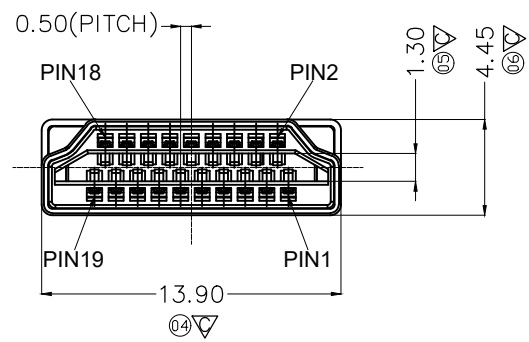


RoHS Compliant

REV.	ZONE	DESCRIPTION	DESIGN	DATE
A		初版发行	Jack	2017.06.19



- NOTES:
- MATERIAL:
 - HOUSING: LCP ,COLOR:BACK ,UL94-V0.
 - INSERTMOLDING: LCP, COLOR:BACK,UL94-V0.
 - CONTACT: C5191(T=0.20mm) ; GOLD FLASH ON CONTACT AREA, 100u" Min. Tin PLATED ON SOLDER TAILS. 50u" Min. NICKEL PLATED OVERALL.
 - SHELL: SPCC,(T=0.30mm) ; 0.5u" Au PLATED OVERALL. 100u" Min. NICKEL BOTTOM PLATED OVERALL. 120u" Min. COPPER BOTTOM PLATED OVERALL.
 - ELECTRICAL CHARACTERISTICS:
 - CURRENT RATING: 0.5A
 - CONTACT RESISTANCE: 30mΩ MAX.
 - INSULATION RESISTANCE: 100MΩ MIN.
 - DIELECTRIC WITHSTAND VOLTAGE: AC 500V/MINUTE.
 - OPERATING TEMPERATURE RANGE: -25°C~+85°C
 - MECHANICAL CHARACTERISTICS:
 - INSERTION FORCE: 4.5Kgf MAX.
 - EXTRACTION FORCE: 1.0Kgf MIN.,4.0Kgf MAX.
 - DURABILITY: 10000 CYCLES.
 - SALT FOG TEST:24H.
 - "⊗" SHOWS FAI MEASUREMENT POINT.
 - MARKED"▽"AS KEY CONTROL SIZE.



TABLE

料号对照表		
产品系列	品名规格	产品料号
夹板公头	HDMI AM 19P 夹板式1.6mm 铁壳镀金0.5u" 刺破2.80mm 黑胶芯 端子镀金G/F 直针 针长2.40MM 无筋无卡	CH-G397

Unless otherwise specified tolerances are		Coorle Technology						
X.X	±0.25							
X.XX	±0.20	DRAW NO.	DATE	DRAW NAME:				
X.XXX	±0.15	DWN	17.06.19	HDMI A公 夹板刺破式 1.6 直针				
X*	±2.0*	CHK		P/N :				
X.X*	±1.0*	APVD						
Third Angle Project		FINISH	UNIT		SCALE	WEIGHT	REV	SHEET
		MATERIAL	mm		1:1		A	1 OF 1